



OPHTHALMIC INSTRUMENTS

Catalogue

www.bibonline.co.uk

Focused on innovative technologies

CLINICAL DIAGNOSTIC
EQUIPMENT



VISUAL DISPENSING
EQUIPMENT



Anyview
Anyview

WORKSHOP
& GLAZING



briot
briot

AUXILIARY
EQUIPMENT



BiB
BiB

REFRACTION
FURNITURE



F.I.S.O.
F.I.S.O.

REFRACTION
EQUIPMENT



Righton
Righton
Righton

Product Categories

CLINICAL DIAGNOSTIC EQUIPMENT

- Slit Lamps
- Keratometers
- Tonometers
- Topography
- Indirect Aspherical Lenses
- Visual Field Equipment
- Binocular Indirect -Ophthalmoscopes
- Pachymeter
- Ultrasound
- Fundus Cameras

VISUAL DISPENSING EQUIPMENT

- Anyview Range
- Vertex
- Anyview Pro
- 3D Any
- Anypad

WORKSHOP & GLAZING

- Autogroovers
- Polishers
- Cleaners
- Drills
- Hand Edgers
- Pliers
- Screws
- Pads
- Callipers
- Lens Clocks
- Screwdrivers
- Glazing Pads
- Glazing Machines
- Tint Baths

AUXILIARY EQUIPMENT

- Pupilometers
- Cross Cyls
- Near Vision Tests
- Colour Vision Tests
- Frame Heaters
- UV Meter

REFRACTION FURNITURE

- Combi Units
- Optometrist Stool
- Patient Chairs
- Tables
- Mirrors

REFRACTION EQUIPMENT

- Acuity Systems
- Phoropters (Manual/Automatic)
- Trial Lens Set
- Trial Frames
- Auto Refractors/ Keratometers
- Lensmeter (Manual/Automatic)
- Auto Refractor/ Keratometers

Welcome to the second edition of the BiB Ophthalmic Instruments catalogue. We have taken time to listen to our customer's comments and suggestions, we hope you will find this version both informative and beneficial for all your present and future instrumentation requirements.

Here at BiB our aim is to be the supplier of choice to the optical industry by offering the very latest innovative technologies from some of the world's leading manufacturers.

Our product range has been carefully selected to suit a cross section of requirements and budgets. BiB take great pride in offering you value for money, with the best after sales and service available.

Our highly motivated team is always on hand to offer advice and guidance from the initial enquiry to product training. We are happy to give product demonstrations at your practice or here at our showrooms.

Our Business has been built on immense customer loyalty over many years and we realise our future success goes hand in hand with our customers success, so you can be assured of our best service, best price and best quality.

Thank you for your on going support and custom.

Slit Lamps Haag Streit Style

- Slit Lamps
- Keratometers
- Tonometers
- Topography
- Indirect Aspherical Lenses
- Visual Field Equipment
- Binocular Indirect -Ophthalmoscopes
- Pachymeter
- Ultrasound
- Fundus Cameras



SL45H slit lamp

Specification

- Microscope type converging stereoscope
- Five-step magnification
- Eyepiece magnification 12.5x
- Total magnification and diameter of visual field (mm)
6x (33), 10x (22.5), 16x (14), 25x (8.8), 40x (5)
- Adjustable range of pupil distance(mm): 55-75
- Slit width(mm):0-14 adjustable
- Slit height(mm):1-14 adjustable
- Slit angle 0-180°
- Slit inclination 5°, 10°, 15°, 20°
- Light spot diameter(mm):14, 10, 5, 2, 1, 0.2
- Slit angle: 180° adjustable
- Slit inclination elevation: 0°, 5°, 10°, 15°, 20°
- Filter: heat absorption, grey, red-free, cobalt blue
- Halogen lamp 12V/30W



Optional accessories

- 1/3"CCD camera adaptor
- Digital camera adaptor
- Teaching tube



SL40H slit lamp

Specification

- Haag Streit type converging stereoscope
- Eyepiece 12.5x magnification
- 6x, 10x, 16x, 25x, 40x magnification
- Visual field diameter(mm): 33, 22.5, 14, 8.8, 5.5
- Dioptic adjustment: -5D+3D
- Slit width(mm):0-9 adjustable
- Slit height(mm):1-8 adjustable
- Aperture diameter(mm):9, 8, 5, 3, 2, 1, 0.2
- Slit angle: 180° adjustable
- Slit inclination: elevation: 0°, 5°, 10°, 15°, 20°
- Filter: heat absorption, grey, red-free, cobalt blue
- Halogen lamp 12V/30W



Optional accessories

- 1/3"CCD camera adaptor
- Digital camera adaptor
- Teaching tube



SL16H slit lamp

Specification

- Haag Streit type converging stereoscope
- Eyepiece 12.5x magnification
- 10x, 16x, 25.6x magnification
- Visual field diameter(mm):18, 14.5, 11.25, 9
- Dioptic adjustment(mm):5D+3D
- Slit width(mm):0-9 adjustable
- Slit height(mm):1-8 adjustable
- Aperture diameter(mm):9, 8, 5, 3, 2, 1, 0.2
- Slit angle: 180° adjustable
- Slit inclination elevation: 0°, 5°, 10°, 15°, 20°
- Filter: heat absorption, grey, red-free, cobalt blue
- Halogen lamp 12V/30W



NS2D Clinical slit lamp

Specification

- Zoom magnification 5.9x to 32.5x (with 12.5x eyepiece),
- Magnification click stops 6x, 10x, 15x, 20x, 25x, 30x, 32.5x
- Eyepiece diopter adjustment range -8D to +8D (with 12.5x eyepiece)
- PD adjustment range 55 mm to 75 mm
- Barrier filter built-in, dial in/out
- Light source 12V-30W halogen lamp
- Light boost button for max illumination
- Slit width 0 mm to 16 mm continuously variable
- Slit rotation angle 90° to right and left
- Slit length 0.2, 1, 2, 5, 10, 14, 16 mm, 0 to 12 mm continuously variable
- Slit vertical angle 0°, 5°, 10°, 15°, 20° from lower angle
- Filters: Heat absorbing, ND (28% reduction), red-free, blue, UV cut (regular use)



RS-1000 Clinical slit lamp

Specification

- Stereoscopic zoom microscope with parallel optics
- Magnification click stops 7.5x, 10x, 16x, 25x, 30x
- Eyepiece diopter adjustment range -5D to +5D
- PD adjustment range 55 to 75mm
- Light source 12V-30W halogen lamp
- Slit width 0 to 14mm continuously variable
- Distance from table top to optical axis 339mm
- Slit rotation angle 90° to the right and left
- Main body 330 (W) x 735(H) x 405(D)mm
- Slit length 0.2, 1, 2, 5, 10, 14mm, 1 to 12mm continuously variable
- Slit vertical angle 0°, 5°, 10°, 15°, 20° from lower angle
- Main body approx. 13 kg
- Filters: Heat absorbing, ND, green, and blue



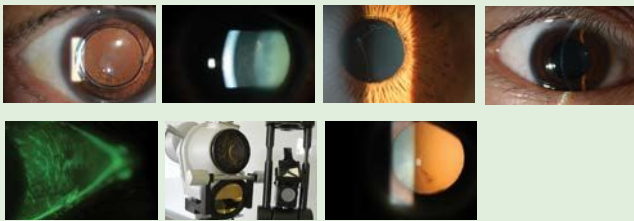
Slit Lamps

Zeiss/Imaging Style

Righton RS-1000 Digital slit lamp

Specification

- Stereoscopic zoom microscope with parallel optics
- Magnification click stops 7.5x, 10x, 16x, 25x, 30x
- Eyepiece diopter adjustment range -5D to +5D Dimensions
- PD adjustment range 55 to 75mm
- Light source 12V-30W halogen lamp
- Slit width 0 to 14mm continuously variable distance from table top to optical axis 339mm
- Slit rotation angle 90° to the right and left
- Slit length 0.2, 1, 2, 5, 10, 14mm, 1 to 12mm continuously variable weight
- Slit vertical angle 0°, 5°, 10°, 15°, 20° from lower angle
- Main body approx. 13 kg
- Filters: Heat absorbing, ND, green, and blue



SL40Z slit lamp

Specification

- Zeiss style compact design
- 5 magnification options up to 40x
- 3 dimensional joystick control
- Anti-reflection coated optics
- Built-in diffuser
- Wide 14mm slit width
- Standard Filters
- Upgradeable for digital imaging



Righton NS2D Digital slit lamp

Specification

- Zoom magnification 5.9x to 32.5x (with 12.5x eyepiece)
- Magnification click stops 6x, 10x, 15x, 20x, 25x, 30x, 32.5x
- Eyepiece diopter adjustment range -8D to +8D (with 12.5x eyepiece)
- PD adjustment range 55 mm to 75 mm
- Barrier filter built-in, dial in/out
- Light source 12V-30W halogen lamp
- Light boost button for max illumination
- Slit width 0 mm to 16 mm continuously variable
- Slit rotation angle 90° to right and left
- Slit length 0.2, 1, 2, 5, 10, 14, 16 mm, 0 to 12 mm continuously variable
- Slit vertical angle 0°, 5°, 10°, 15°, 20° from lower angle
- Filters: Heat absorbing, ND (28% reduction), red-free, blue, UV cut (regular use)



PSL slit lamp

Specification

- Magnification 10X & 16X eyepieces included
- Diopter adjustment ± 7D
- Visual field dia. 0.39 in. (10 mm)
- PD adjustment range 10X eyepiece: 1.97 - 2.76 in. (50 - 70mm) 16X eyepiece: 2.17 - 2.76 in. (55 - 70mm)
- Working distance 3.15in. (80 mm)
- Slit width 0 - 0.43in. (0 - 11mm)
- Slit length 0.43 in. (11mm)
- Filters cobalt blue, red free, colour temperature conversion
- Slit rotation ± 30°
- Light source high luminance white LED
- Battery Li-ion battery 7.4V 680mAh (2 hrs. operation at max. illumination)
- Charger Input: AC 100-240V 60-50Hz Output: DC 12V 500mAh

Standard Accessories

- Carry case, battery (2), battery charger, forehead support, Diopter adjustment bar
- Weight approx. 1.5 lbs (0.68kg)



SL40HS Digital SLR slit lamp

Specification

- Microscope type converging stereoscope
- Magnification five-step magnifications
- Eye piece 12.5x. magnification
- Total magnification & field of view (mm) 6x, 33, 10x, 22.5, 16x, 14, 25x, 8.8, 40x, 5.5
- Adjustable range of pupil distance (mm) 55~75
- Adjustable diopter -5D~+3D
- Slit width(mm) 0-14 adjustable
- Slit height(mm) 1-14 adjustable
- Slit angle 0-180°
- Slit inclination 5°, 10°, 15°, 20°
- Light spot diameter (mm) 14, 10, 5, 2, 1, 0.2
- Filter heat absorption, grey, red free, cobalt blue
- Halogen lamp 12V / 30W
- Voltage/frequency AC220V±10% / 60Hz±1Hz

Optional Accessories

- Applanation Tonometer (R type and T type)
- Measuring eyepiece, Printer



Keratometers

CLINICAL
DIAGNOSTIC
EQUIPMENT

Slit Lamps
Keratometers
Tonometers
Topography
Indirect Aspherical
Lenses
Visual Field Equipment
Binocular Indirect
-Ophthalmoscopes
Pachymeter
Ultrasound
Fundus Cameras



Single Position Keratometer



Specification

- Single joystick control
- For X, Y and Z movements
- Bausch and Lomb myers type
- External reading in millimetres and diopters

Binocular Indirect Ophthalmoscope



2 Position Keratometer



Specification

- 2 position
- Externally illuminated reading scale
- 3 dimensional joy stick control



Binocular Indirect ophthalmoscope

Specification

- Lightweight and comfortable. (only 230g)
- Includes brightness control/transformer
- Filters, redfree, cobalt blue, and compensation
- Two sclera depressors
- Teaching tube
- 2 spare bulbs
- Spot size, 60mm, 40mm, and 20mm
- Brilliant halogen illumination



Corneal Topographer



Medmont E-300

The E300 is the industry standard Corneal Topographer.

The Medmont E300 is a renowned market leader in corneal topography, offering superior patient comfort, accuracy and the robust features that come from working in the Medmont Studio integrated software environment.

E300 is a computerised Video-Keratometer, using Placido rings to map the surface of the human cornea. The results of patient exams can be used to assist in contact lens fitting, refractive surgery, orthokeratology and general assessment of the cornea.

Exceptional Corneal Coverage

Using 32 rings with 9,600 measurement points and 102,000 analysis points, the E300 provides detailed topography data over a wide area of the human cornea. Coverage extends from a minimum ring diameter of 0.25mm to beyond 10mm, which is ideal for detailed assessment of corneal pathologies and accurate contact lens fitting.

Automated Image Capture and Analysis

Fully automatic image capture keeps patient testing fast and simple. Images are captured automatically with a built-in alignment system. Simply position the instrument, guided by the 3D focussing target, and let the software do the rest. Each video frame is analysed in terms of centring, focus and movement. The four best frames are automatically captured and displayed in preview windows, updating progressively as more images are taken, allowing the user to easily view and save the most suitable images for further analysis.

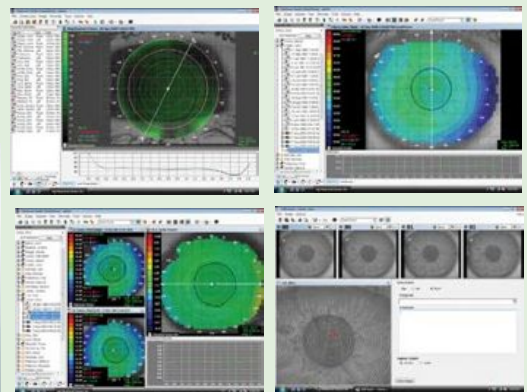
Driven by Medmont Studio

Medmont E300 is controlled from within the Medmont Studio integrated software environment and communicates via USB.

Medmont Studio has a friendly and familiar user interface that will leave no regular Windows user lost or confused.

Specification

- Coverage diameter 0.25-11 mm
- Field of view 11 mm H x 11 mm V
- Power control 10-100 diopters
- Number of rings 32
- Measured points 9600
- Analysed points 102,000
- Working distance 30mm
- Repeatability test object < 0.1 Diopters
- Footprint width: 320mm depth: 400mm





Leading the way in automated perimetry.

Perimetry made Better

Leading the way in automated perimetry, the Medmont M700 has become a benchmark in perimetry around the world, featuring full field test capability up to 80 degrees, high concentric test point density and unique test facilities such as the Flicker Test, Binocular Driving Test and Diplopia Test.

Its open, ergonomic design overcomes issues of claustrophobia and poor ventilation found in other perimeters, keeping patients more comfortable and their results more reliable and accurate.

NEW Video Fixation Tracking (Optional)

Using pupil tracking technology, Medmont M700 now automatically monitors patient fixation and notifies the clinician when fixation is lost (Medmont Studio Feature Pack required - contact us for info).

Features

- Meets DVLA standards
- Full visual field capability
- Full & fast thresholding
- The most comprehensive test strategies & programs available
- All in one, fast screening and powerful analyser
- Rescan individual points
- Powerful follow up analysis report
- Windows 7 compatible



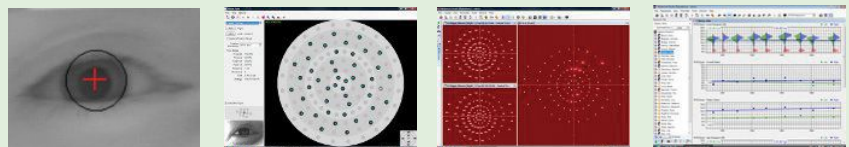
The NEW M730 a compact version of the M700.

Specification

With its sleek, portable design, the all-new Medmont M730 offers a unique and versatile testing solution. Featuring a built-in hood, the M730 can be used in most room conditions without the need for regulated lighting or a patient hood. It is small enough to be used in restricted spaces and easily transported between practices or rooms when required.

With a 30 degree field and a built-in fixation camera, it is fully equipped for many clinical tasks.

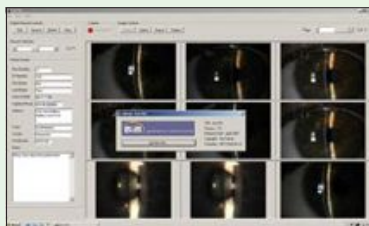
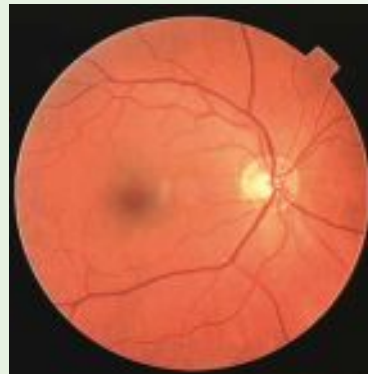
- Central Field screener/analyser
- Patient regression and histogram analysis are automatically generated along each patient's timeline.
- Full patient history viewable as thumbnails
- Video fixation tracking automatically monitors patient fixation and notifies the clinician when fixation is lost (Feature Pack license required).



BiB Eyepix Imaging Software

Specification

- Powerful ophthalmic imaging software
- Automatically connects to most SLR digital cameras
- Suitable for slit lamp and fundus camera use
- Easy to use intuitive user interface
- Automatic scaling for all screen resolutions
- Image import, export and printing functions



- Slit Lamps
- Keratometers
- Tonometers
- Topography
- Indirect Aspherical Lenses
- Visual Field Equipment
- Binocular Indirect -Ophthalmoscopes
- Pachymeter
- Ultrasound
- Fundus Cameras

m) medmont DV2000 Diagnostic Video Imaging Software

DV2000 is the digital imaging component of Medmont Studio, completing your suite of integrated applications with a fully featured image capture, review and edit platform, covering all of your digital imaging needs.

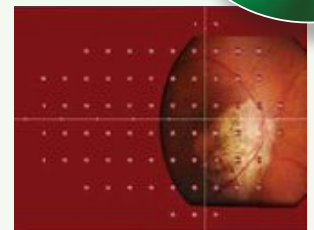
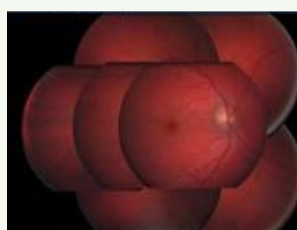
It is a widely compatible platform for use with third party retinal cameras and slit lamps, supporting current Canon and Nikon DSLR models and more.

Specification

- Video & still image capture modes
- Retinal overlay, allows perimetry results to be overlaid on the retinal image
- Supports all digital SLR cameras, RGB, S Video & composite CCD cameras
- Powerful database to allocate image against the patient record
- Mosaic image capture capability
- Full image manipulation and enhancement suite



**Highly
compatible**



Combine Medmont technology and maximise its full potential!

Tonometers



Goldmann Style Tonometers



Applanation Tonometer
(T Type)



Applanation Tonometer
(R Type)



Applanation Tonometer
(Z Type)



L900 Disposable Prisms

Specification

- Fits all Goldman applanation tonometers.
- 100 pieces per box.



Keeler KAT Tonometer, T or R type



Perkins MkII, Including Battery Handle

The Perkins has been established for well over 20 years as a 'world standard' for hand held applanation tonometers. Based on Goldmann principles and utilising the original Goldmann or Tonosafe disposable prisms, the Perkins combines proven technology with the flexibility of a hand held instrument.



Keeler Non Contact Tonometers

Pulsair Desk Top



Pulsair Intellipuff



Accutome Tonometer

Accutome is proud to introduce the AccuPen Handheld Applanation Tonometer which uses high resolution, real-time waveform analysis to provide accurate IOP measurements. Offset technology requires less calibration than other handheld tonometers. Weighing only 3.0 oz, the AccuPen is perfect to go from location to location and makes it easy-to-use.

Specification

- Accurate – High resolution, real time waveform analysis help to ensure precise measurements.
- Easy-to-use – Ergonomic design combined with sighting lines allow for easy visualisation of the cornea, facilitating both centralisation and perpendicularity.
- Less calibration – Revolutionary gravity offset technology requires less calibration when compared to other handheld tonometers.
- Long lasting battery – Lasts approximately 15,000 measurements.
- Built in IOP Correction Calculator – Enter central corneal thickness to obtain adjusted IOP.



I O P E N Iopen Rebound Tonometer

Specification

- Measurement results independent from corneal thickness
- Automatic release control based on pulse rate
- Lightweight and portable - can be used anywhere
- The intraocular pressure measuring device for precise results without anaesthesia



Pachymeter

CLINICAL DIAGNOSTIC EQUIPMENT



Accutome Pachpen

Precision at your fingertips.

Busy facilities deserve an instrument that will come through in the clutch. Accutome is proud to introduce the AccuPen Handheld Applanation Tonometer which uses high resolution, real-time waveform analysis to provide accurate IOP measurements. New gravity offset technology requires less calibration than other handheld tonometers. Weighing only 3.0 oz, the AccuPen is perfect to go from location to location and the new ergonomic design makes it easy-to-use.

Specification

- Built in IOP Correction Calculator – Enter central corneal thickness to obtain adjusted IOP
- Less calibration – Revolutionary gravity offset technology requires less calibration when compared to other handheld tonometers
- Accurate - 65 MHz sampling probe ensures precise measurements.
- IOP Correction Calculation - Converts IOP measurements in seconds
- Easy-to-use - Ergonomic design combined with sighting lines allow for visualization of the cornea, facilitating centralization/perpendicularity
- Versatile - Helps to save time and ease your practice demands
- Gentle Touch - 2.5 mm diameter probe tip ensures patient comfort
- No need to recharge - Lithium battery lasts approx 15,000 readings
- Lightweight - The PachPen weighs only 3.0 ounces (85 g.)

- Slit Lamps
- Keratometers
- Tonometers
- Topography
- Indirect Aspherical Lenses
- Visual Field Equipment
- Binocular Indirect -Ophthalmoscopes
- Pachymeter
- Ultrasound
- Fundus Cameras



ACCUTOME Ultrasound A Scan

With intraocular lens options increasing, it is imperative that facilities have the most advanced biometry equipment. The Accutome A-Scan Plus provides this with the accuracy and confidence needed to achieve excellent patient outcomes.

Specification

- IOL calculations
- Patient Record Storage/Recall
- Printing
- Large 7.5 inch, VGA resolution LCD screen with intuitive User Interface.
- Rotary User Input knob and dedicated tactile buttons
- Compact, portable unit is only 11.9" wide, 7.5" high, 1.9" thick
- Keyboard, foot switch, and external printer



Ultrasound B Scan Plus

The new AccuSmart B-Probe links directly to a laptop/computer by USB, making it the most portable B-Scan on the market. This technology also creates sharper, more focused images due to the elimination of signal loss, which occurs from older tabletop units.

The "Smooth Zoom" technology makes it the only unit with 2x full image zoom with no distortion on real-time or captured scans. The B-Scan Plus® also captures unlimited 34 second film loops of every image. This helps to ensure the user never misses an image.

Specification

- 0.015 mm Resolution is the Highest in the Medical Industry
- Sharper, more Focused Images due to the Elimination of Signal Loss
- Plug Probe into any Laptop or PC and Go*
- Unlimited 34 Second Film Loops
- Easily Upgradeable Software



Indirect Aspherical Lenses



Slit Lamp Lenses

- 60D
- 78D
- 90D
- Superfield
- Super 66
- Super Vitreo Fundus
- Super Pupil XL
- Digital 1.0 x Imaging
- Digital Widefield
- Digital High Mag



Indirect Lenses

- Digital Clear Mag
- Digital Clear Field
- Pan Retinol® 2.2
- 15D
- 20D
- 28D
- 30D
- 40D



Gonio Lenses

- G-4 Glass High Mag
- G-4 Gonio Laser
- G-4 Gonio NF
- G-3 Three Mirror Glass Gonio Fundus



Direct Laser

- Super Quad® 160
- HR Wide Field Lens
- Quad Aspheric®
- Area Centralis®
- Trans Equator®



Direct Contact

- Centralis Direct®
- Iredectomy
- Capsulotomy
- Blumenthal Suturelysis
- Fundus Laser



Fundus Cameras

Dio Digital Indirect Ophthalmoscope

The most compact, cost effective and versatile fundus imaging solution available.

- Rectangular full-frame image with a maximum field angle of 50 degrees! (exceeds most funds cameras)
- Exceptional imaging of fluorescein and lissamine green

Specification:

- Hand held with carry case
- Compact high quality C-mount megapixel camera
- Software control of key camera parameters
- Presets for typical slit lamp imaging scenarios
- Session and single image export function



Options:

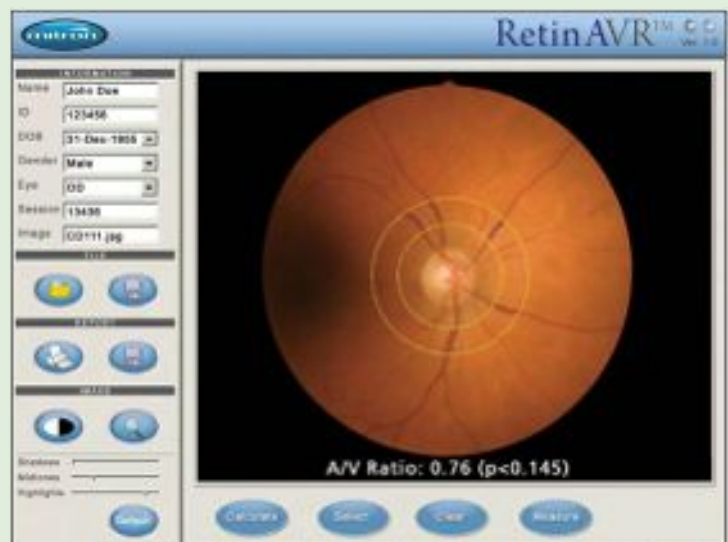
- Slit lamp mount
- Mobile Fixation Light
- Mobile Cross-slide with headrest
- Table top clamp with mounting pin
- Additional ARC and ARC LE software review licences

Retin AVR™

The RetinAVR™ is a software program that automatically measures the retinal artery/vein diameter ratio.

RetinAVR™ takes a digital fundus image as its input and delivers the Artery to Vein Ratio. Unlike other programs that measure the AVR, the RetinAVR™ needs no operator intervention. Once the digital retinal image has been selected, the program will automatically calculate and display the ratio.

RetinAVR™ is a PC software, a variety of fundus images can be used to measure the AVR.



Why Artery/Vein Ratio?

The modern world suffers from myocardial infarction and cerebral stroke as leading causes of death and severe disability. Early detection and identification is the means to effectively lead subjects at risk to treatment that may alter the course of events.

Viewing the blood vessels can reveal various characteristic of the pathologic processes occurring in the body organs and may provide a view of a systemic condition. The eye is the only human organ where small vessels can be observed and assessed non-invasively.

Scientific Background

The Atherosclerosis Risk in Communities Study (ARIC), a multi site study, investigated the etiology and natural history of atherosclerosis, the etiology of clinical atherosclerotic diseases, and variation in cardiovascular risk factors, and formed the scientific background for using retinal vasculature for systemic risk assessment:

- The relative risk of stroke increases with decreasing AVR (Wong et al., Lancet 2001).
- Retinal vasculature can be used to assess the systemic risk for cardiovascular disease and to derive information on the systemic vascular status (Hubbard et al., Ophthalmology 1999).
- This method can be applied clinically to predict the risk of cerebral infarction (Wong et al., JAMA 2002).
- Small vessel disease may contribute to the risk of cardiovascular disease in older persons. (Wong et al., JAMA 2006).

- ✓ Breakthrough in image recognition makes user interface simple & friendly.
- ✓ Automatic recognition of blood vessels.
- ✓ Various formats of input images in colour or red free.
- ✓ Dedicated report with AVR value.
- ✓ Friendly PC interface.

Suitable for use with ALL fundus cameras

Anyview VERTEX[™] Dispensing System

Ultimate Precision Full 3D Measuring System

Anyview Range

The Anyview Vertex™ has been developed to provide an intelligent and full 3D measuring system to take the fast and reliable measurements required for premium individual progressives. Anyview Vertex™ helps opticians to achieve consistent, reliable and fast measurements to ensure customer satisfaction.

High technology innovations

The high tech mirror contains a 10 megapixel camera with auto focus, 16x zoom, high powered silent up and down movement system with a built in flash to help detect the centre of the pupil accurately.

Accessories

Easy to fit frame mounted measurement jig.



New technology mirror head mount for measuring FFA (Face form angle).



Features

Quick and easy measurement

The customer stands in front of the mirror adopting their natural posture & looks at their facial reflection for the image capture, the customer then turns 90° & looks to the far distance for the second image capture.

Enhanced consistency & accuracy

Following the simple tuning process, all the precise measurements are displayed within 15 seconds, the measurements can be transmitted to other dispensing points using the network software.

Easy to link with ordering software

The software contains an easy to manage customer database & supports on-line ordering systems.

Frames on face

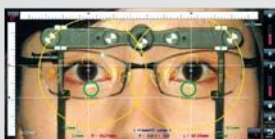
The ultimate life like resolution, fully adjustable contrast and brightness to maximise image quality and lighting environment.

Customer database management

Easy to use search methods based on Name, D.O.B. or I.D. number, and with enough capacity for up to 10,000 customers.

Specification

- Enhanced consistency and accuracy • Elegant and high tech design
- Diverse contents for explaining lens options • Powerful and advanced 3D graphics
- New powerful 2D/3D lens thickness simulation • Network configuration
- Near PD measurement option • Frames on face • Contact lens module
- Customer database management • Quick & easy measurement



Anyview Pro TM Dispensing System

The best solution for the best consultation

Anyview ProTM offers all the features of the Anyview system in a flexible solution that can be tailored to your particular needs.

The head unit itself houses a high-precision 10 Megapixel camera, mounted on an internal motorised mechanism which moves the camera up and down to the required height.

Importantly, the camera mount enables you to tilt the camera offering the ability to locate the back vertex distance when a frame with wide sides is used, resulting in even more accurate measurements.

Plinth options

Anyview Pro can be shipped with a plinth to stand the head unit on, or can be shipped without a plinth so you can position the unit on an existing dispensing table.

Near PD Measurement solution

The optional Near PD Measurement solution consists of a tablet connected to the unit which takes a picture of the patient while focussing on the tablet screen. From this picture, accurate measurements can be made of the patient's near PD.



Anti-reflection (2D)



Anti-reflection (3D)



Hydrophobic



Anti-scratch



UV 400



Colour tinting



Polarised principle (2D)



Polarised principal (3D)



Photochromic principle



Photochromic colour

Anyview 3D[®]

3D Animation / Network Client Installation Disc

The functions of the Anyview software can be used simultaneously with the Anyview Pro Network Version. After taking a photo the Optician can consult with customers at various dispensing desks by using the Network Client Version (maximum 6 clients)

Anyview Range



More Powerful and Advanced 3D Graphics

On screen graphics describe and demonstrate like never before



Anypad



Near PD & reading distance measurement function



Progressive



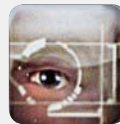
• Enhanced progressive lens simulation



Visual Simulation



Comparison



Individual



Presbyopia



Type



Suggestions

Lens option • Rich and diverse contents for clearer explanation of lens options
 • New 3D animation for advanced Single Vision lens



Material Thickness



Coating



Colour Tinting



Polarised



Photochromic



Special Lens



Drive wear



High Curve lens



Specification

- 26.3cm (diagonal) LCD Wide Screen Touch display(1024 x 600 pixel resolution)
- Battery, 3 cells li-polymer: 3100mAh
- Operating system embedded Windows 7
- Updating is available via WiFi

Accessories

- Jig for virtual visual simulation • Jig and tilt sensor for eye rotation measurement • Rechargeable battery

Briot ALTA PRO

- Pupilometers
- Autogroovers
- Polishers
- Cleaners
- Cross Cyls
- Frame Heaters
- Drills
- Hand Edgers
- Near Vision Items
- Pliers
- Screws
- Pads
- Callipers
- Lens Clocks
- Screwdrivers



Facing more and more complex jobs to edge with high-curved frames, special lens materials and coatings? Need a solution to speed up your productivity? Alta Pro is the solution to satisfy the demands of a modern practice, speed up your productivity and increase your profitability significantly.





SILVER

3 in 1. All the edging functions gathered in one single device, best ergonomics, workshop space optimisation, trouble-free installation.

- Dimensions: W 660 x D 620 x H 430
- Weight: 68 kg
- Voltage: 115 V - 50 Hz / 230 V - 60 Hz
- Power Supply: 1 kW

SILVER+

Easy to use the SILVER+ is endowed with important features, such as safety bevel, grooving and bevel polishing.

- Dimensions: W 660 x D 620 x H 430
- Weight: 68 kg
- Voltage: 115 V - 50 Hz / 230 V - 60 Hz
- Power Supply: 1 kW

ACCURA CX

Selected by well-known stores, the Accura CX is one of the most accurate edgers on the market. It offers all the latest add on features needed to save space and time and maximise output.

- Dimensions: W 650 x D 620 x H 430
- Weight: 76 kg
- Voltage: 115 V - 50 Hz / 230 V - 60 Hz
- Power Supply: 1 kW

Always more performances

Edgers	SILVER	SILVER+	CX
Mineral roughing	■	■	■
All plastics versions roughing	■	■	■
Rimless and bevel finishing	■	■	■
Rimless & bevel polishing	■	■	■
Superpolish	-	■	■
Trivex™	■	■	■
Hydrophobic lenses	■	■	■
High curve lenses	-	-	-
TBS(chamfered bevel)			
Functionalities			
Aesthetic bevel	■	■	■
Expert bevel	-	-	■
Manual bevel*	■	■	■
Rimless finishing	■	■	■
Motorised safety bevel grooving	-	■	■
Safety bevel grooving drilling	-	-	-
Memory card	■	■	■
Bar codes reader	■	■	■
4D scanning	■	■	■
OMA connection	■	■	■
Briot Link connection	-	-	-
Digiform+	■	■	■

* preview before edging ■ standard ■ option



ACCURA PRO

The Accura pro was specially designed for laboratories and offers the same function as the Accura CX, such as special edging wheels and a motor connected to a variable speed drive. With its higher productivity, it is designed for very high volumes..

- Dimensions: W 650 x D 620 x H 430
- Weight: 76 kg
- Voltage: 200 V - 50 Hz / 240 V - 60 Hz
- Power Supply: 3 kW

ALTA NX/SP

The Alta NX adapts completely to your needs and requirements. You can add all the options you require when you need them, according to the way you intend to use the machine. This highly revolutionary feature of the Alta NX ensures that it will be with you in the long term and will always be up to date. Every function is available and offers safety and comfort.

- Dimensions: W 510 x D 615 x H 570
- Weight: 69 kg
- Voltage: 115 V - 50 Hz / 230 V - 60 Hz
- Power Supply: 1,6 kW

ALTA PRO

Faced with the need to provide fast and accurate service for new lens materials and frame designs, combined with environmentally-friendly demands, the ALTA PRO is your solution.

- Dimensions: W 510 x D 615 x H 570
- Weight: 79 kg
- Voltage: 115 V - 50 Hz / 230 V - 60 Hz
- Power Supply: 1,6 kW

- Pupilometers
- Autogroovers
- Polishers
- Cleaners
- Cross Cyls
- Frame Heaters
- Drills
- Hand Edgers
- Near Vision Items
- Pliers
- Screws
- Pads
- Callipers
- Lens Clocks
- Screwdrivers

Always more performances

Edgers	ACCURA PRO	NX/SP	ALTA PRO MINERAL	ALTA PRO ALL PLASTICS
Mineral roughing	■	■	■	-
All plastics versions roughing	■	■	■	■
Rimless and bevel finishing	■	■	■	■
Rimless & bevel polishing	■	■	Rimless polishing	■
Superpolish	■	Diamond polishing	Diamond polishing	Diamond polishing
Trivex™	■	■	■	■
Hydrophobic lenses	■	■	■	■
High curve lenses	-	■	■	■
TBS(chamfered bevel)			■	■
Functionalities			■	■
Aesthetic bevel	■	■	■	■
Expert bevel	■	■	■	■
Manual bevel	■	■	■	■
Rimless finishing	■	■	■	■
Motorised safety bevel grooving	■	■	■	■
Safety bevel grooving drilling	-	With or without drilling	■	■
Memory card	■	■	■	■
Bar codes reader	■	■	■	■
4D scanning	■	■	■	■
OMA connection	■	■	■	■
Briot Link connection	-	■	■	■
Digiform+	■	-	-	-

* preview before edging ■ standard ■ option

Silver/Silver+/Accura CX/Pro Edgers



Consumables



Ref 1138154
Accura Feeler Tip
White



Ref 2407020
Cleaning Disc
Mineral



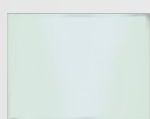
Ref 2407021
Cleaning Disc
Finishing



Ref 1138196
Accura Feeler Tip
Black



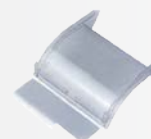
Ref 1153034
2mm Single Stylus
Head Tip



Ref 1122154
Screen Protector



Ref 1174128
Visor Deflector



Ref 1197035
Removable Visor



Ref 1138181
Silver Feeler Tip



Ref 1138162
25mm Blue Canvas
Pad Large



Ref 1136161
19mm Blue Canvas
Pad Medium



Ref 1138171
17mm Blue Canvas
Pad Small



Ref 2153012
25mm Plastic Block
Large



Ref 2153013
19mm Plastic Block
Medium



Ref 1153034
17mm Plastic Block
Small



Ref SVS 180048
10 Blocks Plastic Set
(6 Large + 4 Medium)



Ref 1122148
Wheels Protector



Ref SVS114005
25mm Lens Clamping
Adaptor Large



Ref SVS114004
19mm Lens Clamping
Adaptor Medium



Ref SVS114006
17mm Lens Clamping
Adaptor Small

Silver/Silver+/Accura CX/Pro Edgers



Spare Parts

- Pupillometers
- Autogroovers
- Polishers
- Cleaners
- Cross Cyls
- Frame Heaters
- Drills
- Hand Edgers
- Near Vision Items
- Pliers
- Screws
- Pads
- Callipers
- Lens Clocks
- Screwdrivers



Ref SVS225046
Pattern and Lens To
Lens Holder



Ref 3730003
Main Cover Key



Ref 2177010
Fan Filter Cover



Ref SVS222034
Centring Pad



Ref 1404222
Calibration Tool



Ref 1404192
Pattern Offset
Adjustment Tool



Ref 1404185
Scan Alignment
Adjustment Tool



Ref 1404191
Pattern Axis
Adjustment Tool



Ref 1404255
Scan Form Gain
Adjustment Tool



Ref 1197036
Blue Outer Visor
Accura CX/Pro



Ref 1190375
25mm Block Adaptor
Large



Ref 1190406
19mm Block Adaptor
Medium



Ref 1190522
17mm Block Adaptor
Small



Ref SVS180125
Kit of Bar Code Reader
(bar code reader + sample of code
bar labels + holder)



Ref 3190077
Brass Screw For Pattern
Holder



Alta XL/AxCELL Centring Device

Spare Parts



Ref SVS225041
Lens Holder



Ref SVS225042
Uncut Patterns
Holder



Ref SVS225044
Pattern and Lens to
Lens Holder



Ref SVS180125
Kit of Bar Code Reader
(bar code reader + sample of code
bar labels + holder)



Ref SVS222034
Centring Pad



Ref SVS180104
2mm Single Stylus Tip
For Scanform 6 and 7



Ref SVS180075
Magnetic Blocks Set (5)
(3 Large 2 Small)

Consumables



Ref 2201058
Dulux lamp



Ref 2406503
Special Pencil for
Hydrophobic Lenses



Ref 1192074
Frame Clip Tube



Ref SVS300037
Opaque Screen



Ref SV1177019
Blocking Unit Filter
Set of 3

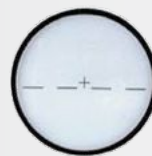
Adjustment Tools



Ref 1404227
Calibration Lens +3



Ref 1404228
Calibration Lens -3



Ref SV1404224
Calibration Lens



Ref 1404192
Pattern Offset
Adjusting Tool



Ref 14 04185
Scan Alignment
Adjustment Tool



Ref 1404191
Pattern Axis
Adjustment Tool



Ref 1404255
Scanform Gain
Adjustment Tool

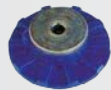
Accura CL/LAB Edgers



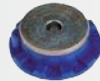
Spare Parts



Ref 1404222
Calibration Tool



Ref 1153026
25mm Magnetic Block Large



Ref 1153027
19mm Magnetic Block Medium



Ref 1153028
17mm Magnetic Block Small



Ref SVS180105
1mm Right Hand Drill Bit Set + Calibration Lens



Ref 1138154
Lens Feeler Tip



Ref 2407020
Cleaning Disc Mineral



Ref 2407021
Cleaning Disc Finishing

- Pupillometers
- Autogroovers
- Polishers
- Cleaners
- Cross Cyls
- Frame Heaters
- Drills
- Hand Edgers
- Near Vision Items
- Pliers
- Screws
- Pads
- Callipers
- Lens Clocks
- Screwdrivers

Accura CX/Pro Edgers



Spare Parts



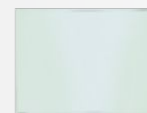
Ref SVS225046
Pattern and Lens To Lens Holder



Ref 3730003
Main Cover Key



Ref 2177010
Fan Filter Cover



Ref 1122154
Screen Protector



Ref 1404192
Pattern Offset Adjustment Tool



Ref 1404185
Scan Alignment Adjustment Tool



Ref 1404191
Pattern Axis Adjustment Tool



Ref 1404255
Scan Form Gain Adjustment Tool



Alta XS Centring Device

Spare Parts



Ref S390016
Lens Holder Small



Ref S390017
Lens Holder Large



Ref 1115252
Hand Rest



Ref SVS225044
Pattern and Lens To
Lens Holder



Ref SVS222034
Centring Pad



Ref SVS180104
2mm Single Stylus Tip
For Scanform 6 and 7



Ref SVS 180075
Magnetic Blocks Set (5)
(3 Large 2 Small)

Adjustment Tools



Ref 1404192
Pattern offset
Adjustment Tool



Ref 1404185
Scan Alignment
Adjustment Tool



Ref 1404191
Pattern Axis
Adjustment Tool



Ref 1404255
Scanform Gain
Adjustment Tool

Alta SP/NX/Pro Edgers



Consumables



Ref 1404301
Lens Feeler
Adjustment Tool



Ref SV 180097
Removable Lens
Feeler Pads (set of 4)



Ref 1197047
Removable Visor



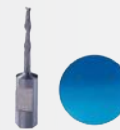
Ref 24 07 020
Cleaning Disc
Mineral



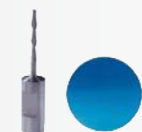
Ref 24 07 021
Cleaning Disc
Finishing



Ref 24 07 037
Cleaning Disc Finishing
Only For Alta Pro TBS
Wheel



Ref SV180138
1mm Left Hand Drill Bit
Set + Calibration Lens
Only For Alta NX & Pro



Ref SVS180158
0.8mm Left Hand Drill
Bit Set + Calibration Lens
Only For Alta NX & Pro

Filtration Units

Tank (60L) with pump **REF S130067**

Specification:

- For closed circuit use.
- Big capacity 60L.
- Easy cleaning
- Protective plastic film
- First level of filtration (drawer) accessible
- Drain valve allowing tank emptying without moving
- Three levels of filtration, perfectly adapted for edging even large amounts of polycarbonate.



Water pump with rollers

- For ease of movement

REF 21 90 389

Polyethylene protection bag

- Single unit

REF 11 40 127

- Pupilometers
- Autogroovers
- Polishers
- Cleaners
- Cross Cyls
- Frame Heaters
- Drills
- Hand Edgers
- Near Vision Items
- Pliers
- Screws
- Pads
- Callipers
- Lens Clocks
- Screwdrivers

Filtration Tank (20L) without pump

Specification:

- Can be used with most existing machines
- Capacity 20L.
- 1 level of filtration
- Unique metal gauze
- Compatible with all Briot edgers

REF S180003



Polyethylene protection bag

- Single unit **REF 11 40 143**

Pump Alone:

REF S130083



3M Leap III™ Blocking Pads

Ref 1692	LEAP III finish blocking pads 26mm round 1000 pieces per roll WECO flexible blocks	
Ref 1693	LEAP III finish blocking pads 18mm round 1000 pieces per roll Essilor GAMMA edgers	
Ref 1695	LEAP III finish blocking pads 24mm round 2000 pieces per roll Generic use	
Ref 1696	LEAP III finish blocking pads 18mm oval 1000 pieces per roll Small frames	
Ref 1700	LEAP III finish blocking pads 24mm square 2000 pieces per roll Generic use	
Ref 1712	LEAP III finish blocking pads Nidek shape 1000 pieces per roll Nidek blocks	

Remote access service and maintenance software

the best performance out of your machine

The use/installation of this state-of-the-art technology, another milestone in our industry, is transparent to your lab. Briot Link™ allows you to concentrate and focus on your customers while getting the best performance out of your machine.

Exclusive technology “machine to machine”

Briot Link™ enables you to make the most your preventative maintenance program and the management of your lab. Your peace of mind is our priority.

Briot Link™, active monitoring of your edger

As soon as your edger is connected, it detects a malfunction or even a slight deviance from default settings.

Briot Link™ will warn us and help us adjust the settings before they become a problem.

Briot Link™ ensures the best performance via preventative maintenance.

Once alert has been received, one of our highly trained technicians analyses the data and suggests a course of action. You don't have to stop using your system. Your virtual technician is there with you all the time. Work with reassurance to increase your productivity.

Our technicians suggest a course of action either remotely or by despatching your field service technician based on the information/data collected from your system. This cuts down on response time, and by pre-determining the specific needs, increases the productivity and efficiency of field service.

Key Features of the BRIOT LINK™

- Run your equipment with the optimum settings - always.
- Run your lab at the highest productivity.
- Maximise your customer service and profits by reducing downtime.
- Get software upgrades instantly, no more waiting for a service technician to come to your office.
- Make the most out of your service technician's time.
- Get an edge and increase your profits.



Phantom® Heating System, Model 6V
Available in 4, 6, 9, or 12 Pots

Features:

- Fast heat-up time
- Overflow channel to catch spilled chemicals
- 6 quart size standard system holds up to 12 mini tanks
- 60°F - 250°F temperature control
- Copolymer housing for minimum heat radiation
- Uniform temperature
- Durable stainless steel heating elements, HTF tank, vats and lids
- ETL approved
- Heavy duty
- Designed for production operations
- Starter kit



- Pupilometers
- Autogroovers
- Polishers
- Cleaners
- Cross Cyls
- Frame Heaters
- Drills
- Hand Edgers
- Near Vision Items
- Pliers
- Screws
- Pads
- Callipers
- Lens Clocks
- Screwdrivers

Description:

Six stainless steel quart sized tanks (vats), in black copolymer housing for minimum heat radiation and maximum thermal insulation. Designed to optimally heat optical lens tinting solutions and other similar materials. The standard six quart unit can hold up to 12 mini vats (optional). The system incorporates one 1500 Watt stainless steel heating element, designed specifically for heating OptiSafe® Heat Transfer Fluid without burning it. This is a common problem in many heating units. The system is also supplied complete with vats, lids and starter kit for professional lens tinting.



Phantom® Digital UV / Visible Transmission Meter Model Spectrum 700 VU

Features:

- Measures % of UV and Visible light transmission with a flip of a switch
- Digital display shows amount of transmission
- ETL approved
- Easy access to user replaceable parts
- Appealing look in office or lab.



Description:

A UV/visible light meter which measures the average percentage of ultraviolet rays and visible light transmitted through an optical lens. It's capability extends over the ultraviolet spectrum from 320 to 400 nanometers (nm), and over the visible spectrum from 400 to 700 nm. Light transmission through lenses can be checked without removing lenses from the frame. The meter is also useful in demonstrating photochromic lenses.



Workshop Items

BiB Auto Lens Polisher

Specification:

- Clear lid for continual inspection of the lens polish cycle, reduces noise and aids dust collection
- Modern exterior
- Suitable for CR39 acrylic, plexiglass and optical lenses
- Two pieces of IC plates attached and possible auto timing



BiB Autogroover

Specification:

- Non corrosive machine body Suitable for plastic and glass lenses
- Adjustable groove position (front/central/rear)
- No water system required
- Accurate on all profiles
- Adjustable groove depth (mm) : 0-0.7
- Groove width (mm) : 0.6
- Lens thickness (mm) 1.5-11
- Lens diameter (mm) : 28-70
- Power 90w



BiB Lens Driller

Specification:

- Suitable for mineral, CR39 and polycarbonate lenses
- Simultaneous drilling from both sides of the lens
- Suction lens holder
- Adjustable angle and position of drilling hole
- Diameter of drilling hole accurately adjusted with readable scale
- Drill diameter (mm) 0.8-2.8
- Weight: 4.1kg



BiB Ultra Sonic Cleaner

Specification:

- Digital programme
- Stainless steel tank
- 600ml capacity
- Quiet operation



BiB Hand Edger

Specification:

- Basic hand edger, 35mm double wheel
- Right side rough, left side fine with V edge truing groove.
- Simple and easy to use
- Drainage at the bottom
- Weight: 8Kg
- Reversible rotation
- Available with either flat wheel or V wheel



Full Range of Accesories

- Full Range of Bulbs



- Paper Rolls
- Chin Rest Papers

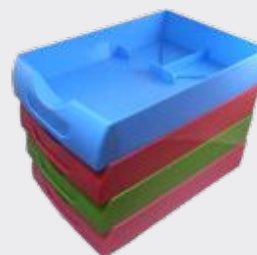


• Loctite Adhesive

Available in:
Low, Medium
and High Strength

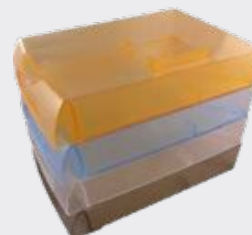
Job Trays Opaque Colours

- Blue
- Red
- Green
- Pink



Job Trays Transparent Colour

- Orange
- Blue
- Clear
- Grey



Workshop Items

WORKSHOP & GLAZING

Pliers



PL-19
Screw Cutter



PL-10
Flat Snipe Nose Pliers



PL-18
Side Cutters



PL-15
Pad Adjusting Pliers



PL-05
Holding Plier



PL-03
Inclination Plier



PL-17
Peening Plier



PL-21
Lens Axis Aligning Plier

- Pupillometers
- Autogroovers
- Polishers
- Cleaners
- Cross Cyls
- Frame Heaters
- Drills
- Hand Edgers
- Near Vision Items
- Pliers
- Screws
- Pads
- Callipers
- Lens Clocks
- Screwdrivers

Lens Clock



Thickness Gauge



Callipers



Screw Extractor



File Set TL-57 (10 pieces)



Screwdrivers



TL-23 deluxe Screwdriver Set (8 pieces) with Stand



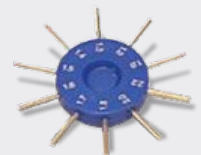
Stand for Pliers



Dispensing Kit



Hole Measurer



Screw and Pads Case



- 10 Individual compartments

Pads



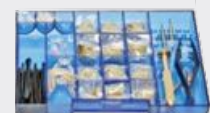
- Silicone Nose Pads Round Double Use 9mm 15 pairs per pack.
- Silicone Nose Pads Push type 13mm 15 pairs per pack.
- Silicone Nose Pads Screw type 13mm 15 pairs per pack.
- Silicone Nose Pads double use 15mm 15 pairs per pack.
- Silicone Nose Pads Push type 15mm 15 pairs per pack.
- Silicone Nose Pads Screw type 15mm 15 pairs per pack.

Screws



- Screw Silver 1.8x1.2x4.2 100pcs
- Spring Hinge Screw Gold 2.0x1.2x6.5 50pcs
- Spring Hinge Screw Gold 2.0x1.4x6.5 50pcs
- Screw Silver 2.5x1.4x5.0 100pcs

TL-A12 Deluxe Accessory Kit (over 2,900 items)



Auxiliary Items

AUXILIARY EQUIPMENT

BiB Frame Heater

Specification:

- Hot/Cold settings
- Adjustable temperature control to 110°
- Power 600W



BiB Cross Cyls

Specification:

- + 1 - 0.25
- + 1 - 0.50



BiB Digital Pupilometer

Specification:

- Range of measurement (mm) :8-77 (both eyes) 24-38 (each eye)
- Graduations (mm):0.5mm
- Range of focusing point: 30 to infinity
- Capable of DP & BVD measurements
- Power supply: 4.5V DC



- Pupilometers
- Cross Cyls
- Near Vision Tests
- Colour Vision Tests
- Frame Heaters
- UV Meter

Near Vision Units

BiB NV-100 Near Vision Unit

Specification:

The NV-100 near vision tester enables a complete refractive and binocular vision investigation to be carried out with the head and eyes in their normal posture at any working distance.



Evans INSTRUMENTS Near Vision Fixation Disparity Unit

Specification:

- Rechargeable, and comes with plug-in adapter
- Able to stand upright on the desktop
- Retractable measuring tape built into the unit
- Tests include: fixation disparity, foveal suppression, binocular balance, NPC, stereopsis



Amsler Chart



Kay Pictures

Complete Range Available



Ishihara 24 Plate & 38 Plate



City Colour Chart



TNO Stereo Test



Fly & Butterfly Test



City Rule



Double Sided Laminated Reading Cards



Lang Stereo Test



Burton UV Lamp



Solid Prism Bars

Horizontal & Vertical



Cross Cyls & Confirmation Tests



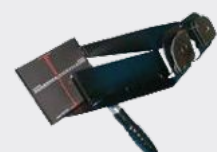
Occluder



RAF Rule



Maddox Wing Test



Combi Units

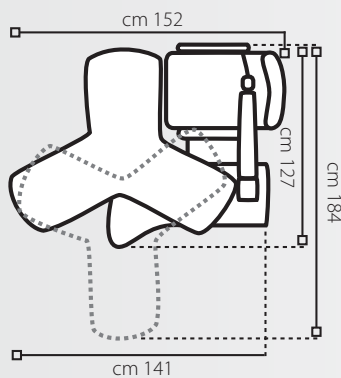
REFRACTION FURNITURE

- Combi Units
- Optometrist Stool
- Patient Chairs
- Tables
- Mirrors

F.I.S.O. Trio

Specification

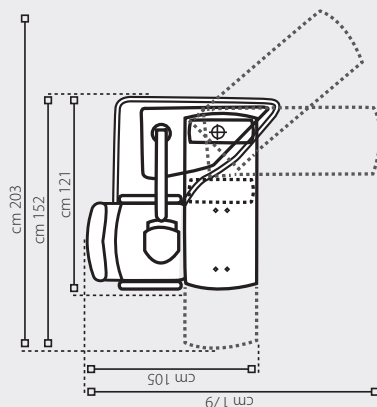
- Unit available with wood finish as pictured or in dark brush steel.
- Chair upholstery colour available in black, grey, yellow, green, red or blue.
- Features motorised up/down movement of rotary table.
- Instruments can be powered in any position of the 90 degree arc, making it ideal for wheel chair access.
- Built from sheet steel and solid wood, the unit has no table flex even when heavy instruments such as fundus cameras or auto-refractors are placed upon it.
- Optional refraction arm and four drawer cabinet to house trial lenses.



F.I.S.O. Onda Lens

Specification

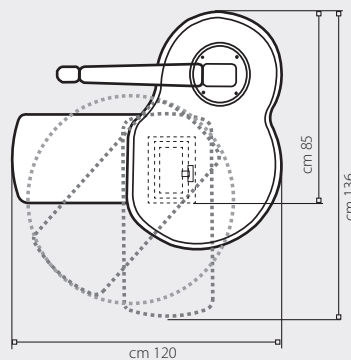
- The twin translating table incorporates two useful sections, a pull out working desk/contact lens fitting mirror and a trial lens tray which allows fitting of lenses in the correct and most suitable position.
- The unit is available in polished metal or a wood effect.
- Instruments can be powered in any position of the table swing allowing easier positioning for larger patients etc.
- Chair upholstery colour is available in black, grey, yellow, green, red or blue.
- A refraction arm is available as an optional extra.



F.I.S.O. Hercules

Specification

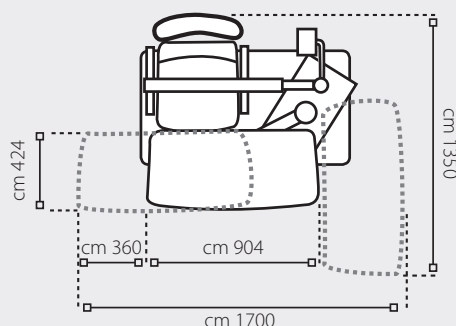
- The only truly workable and functional disability unit ever produced.
- The rotational movement and motorised elevation of the double table (height range from 72 cm to 92 cm) is based on catering for wheel chair patients. Movement of the optional motorised chair has been made easier by virtue of the embedded wheels on the underside of the chair base. Alternatively your existing patient chair can be utilised.
- The Hercules offers practitioners a truly all round accommodative solution and does not compromise the space at only 1.2 meters in width.
- A refraction arm is available as an optional extra.
- F.I.S.O. Prima motorised chair with embedded wheels and foot switch controls.



FRATEMA New Simplex II

Specification

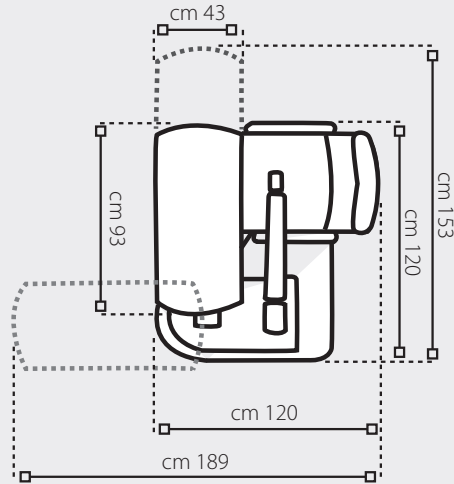
- Twin translating table
- Motorised chair with arm rests and fold up foot plate
- Overhead light
- Chart projector mounting plate
- Optional refraction arm



F.I.S.O. Rondo

Specification

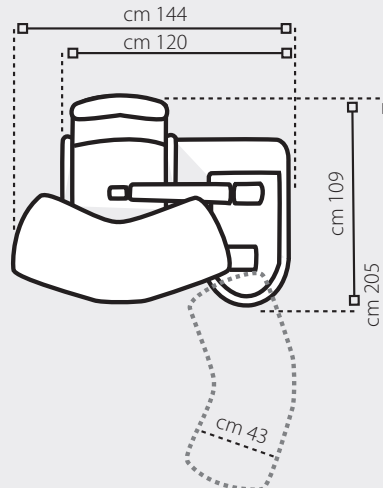
- Includes deluxe motorised chair.
- Silent up/down movement.
- Manufactured using solid wood and sheet steel.
- No table overhang in the out position, with a compartment for hand held instruments and twin illumination controls.
- Available with optional motorised or manual refraction arm.



F.I.S.O. Doublette

Specification

- Compact unit.
- Prima electric lift chair, with new virtually silent mechanism.
- Twin fixed angular table top, ideal for mounting heavier instruments or those with a fixed chin rest.
- Power to instruments with the table in any position, making it easier for larger patients or to allow wheel chair access.
- Built in rheostat for illumination control, overhead light, mounting for chart projector plus a dust free storage compartment for hand helds.
- Foot switch controls fitted as standard.
- Manufactured using sheet steel and solid wood for extra rigidity.
- The base design is contoured to allow easier access to the patient for ophthalmoscopy/retinoscopy etc.
- Chair colour available in blue, green, black and grey.



F.I.S.O. Monovisus

Specification

- Single column pole on weighted base.
- Overhead light.
- Chart projector mounting plate.
- Ideal for refraction only.
- Available with or without F.I.S.O. chair.
- Utilise your existing patient chair.
- No room for a combi? - Monovisus is the answer!

Optional extras

- Refraction arm.
- Patient chair.



F.I.S.O. Trial Lens Cabinet

Specification

- Size of unit 460 w x 625 L x 650 h
- Colour matched 4 drawer cabinet for use with all FISO Refraction Combi Units



Patient Chairs

REFRACTION
FURNITURE

F.I.S.O. Doctor

Specification

- Doctor chair is available in Black, Grey, Blue, Bordeaux, Green and Dark Brown upholstery.
- Converts into a bed with adjustable height by means of two powerful, virtually silent electric motors complete with foot control.
- Retractable arm rests, foot rest and cushion head rest.



Combi Units
Optometrist Stool
Patient Chairs
Tables
Mirrors

F.I.S.O. Alles

Specification

- Electric height adjustment mechanism, based on a silent and powerful electric motor which gives an elevation of 15cm by acting on a foot switch control.
- Manual recline facility converts into bed position.
- Fully adjustable headrest.
- Lockable armrests.
- 360° lockable rotation.
- Stand alone or available on any F.I.S.O. combi unit.
- Chair upholstery is available in several colours.



F.I.S.O. Sonne

Specification

- Available in Blue, Green, Steel Blue and Black.
- Virtually silent electronic movement, by virtue of a new designed motor.
- Fully reclinable, pivots either way at 45 degrees.
- Adjustable head rest, fold up foot rest & retractable arm rests that can be locked down if required.
- The up down control is operated via foot pedals which can be positioned suiting individual needs.
- Stand alone or available on any F.I.S.O. Combi Unit.



F.I.S.O. Liberty

Specification

- Professional chair with a fixed back, tip up arm rests and 360° lockable rotation.
- Electric height adjustment with foot-switch control.
- Study base in laminated wood assures stability.
- Upholstery is available in several colours and different fabrics.



Patient Chairs/Tables/Stools/Mirrors

F.I.S.O. Prima

Specification

- A comfortable chair with fixed back, 360° lockable rotation and an optional tip-up foot rest.
- Electric height adjustment with foot switch control.
- Study base in laminated wood assures stability.
- Upholstery is available in several colours.
- The best entry level chair with electrical height adjustment.



F.I.S.O. Standard

Specification

- A comfortable chair with fixed back and tip up arm rests, 360° lockable rotation.
- This ophthalmic chair is equipped with a height adjustment mechanism based on a gas spring with a stroke of 14cm.
- This ophthalmic chair is provided with an elegant five legged chrome-plated base.
- Standard ophthalmic chair upholstery is available in several colours.



Optometrist Stools

F.I.S.O.

Gas Lift Stools

- Lumber Support
- Standard



Tables

F.I.S.O. Mistral

Specification

- Gas lift
- Manual lock
- 26" (66cm) Table length
- 19" (48cm) width
- 27.5" (70cm) base length



BiB Motorised Table

Specification

- Electric
- 26" (66cm) High
- 9" (23cm) Feet to base
- 20" (91cm) Wide



BiB Motorised Deluxe Table

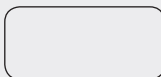
Specification

- Electric
- 27" (69cm) High
- 22" (56cm) wide feet to feet
- 6" (15cm) feet to base

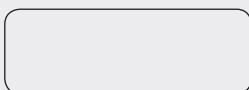


Table Tops

Single top :
54x37x3cm



Double top :
80x49x3cm



Curved Top :
98x52x3cm



Mirrors

Fixed Wall Mirror
530mm x 350mm



Adjustable Wall Mirror
530mm x 350mm



Projection Mirror Set
530mm x 350mm
& 250mm x 250mm



Floor Stand Mirror
530mm x 350mm

Automatic Phoropters

REFRACTION
EQUIPMENT



Righton RemoteVision Automated Wireless Phoropter Auto Optester Remote Vision

- **Wireless**

Wireless data transfer allows one to easily load the auto refraction measurements into the Remote Vision.

- **Remote control**

Control all refractor operations and the NP-3S chart projector from the wireless remote control.

- **Fully programmable**

Fully programmable refraction sequences allow expedited refractions.

- **Easy to operate**

One-dial remote control makes operation very easy.

- **Accurate**

Integration of the refraction process increases speed and accuracy.

- **Fast**

Fast and easy one button comparisons between old glasses, auto refraction and subjective refraction.

- **Illuminated**

Illuminated LED heads-up display ensures that the operator can comfortably see the lens phoropter presentation even in even in darkened rooms.

- **Better than the rest!**

Performs any test that a conventional refractor can do much faster and easier!



- Acuity Systems
- Phoropters (Manual/Automatic)
- Trial Lens Set
- Trial Frames
- Auto Refractors/ Keratometers
- Lensmeter (Manual/Automatic)
- Auto Refractor/ Keratometers

Perfect practice technology in wireless communication.



Righton NP-3s chart projector



Computerised Test Chart



Retinomax 3



Speedy K Auto Refractor/ Keratometer



PDR-7000 Digital Refractor

Specification:

• Spherical range	-29.00 ~ +26.75D (Regular) -19.00 ~ +16.75D (Cross Cylinder or Prism test) (0.12D/0.25D/0.5D/0.10D/2.0D/3.0D increments)
• Cylinder lens	0.00 ~±8.75D (0.25D/1D/2D/3D increments)
• Cylinder axis	0° ~ 180° (1°/5°/15° increments)
• PD	48 ~ 80mm (0.51mm increments at far mode)
• Rotary prism	0 ~ 20 (0.1Δ / 0.5Δ/2Δ increments)
• Cross cylinder	±0.25D ±0.50D ±0.25D Auto-Cross Cylinder (Split prism lens)
• Retinoscope	+1.5D, +2.0D
• Auxiliary lens	
• Occulder	
• Pen hole lens	○
• Maddox rod	Right Eye (Red, Horizontal) Left Eye (Red vertical)
• Red/green filter	Right Eye (Red) Left Eye (Green)
• Polarising filter	Right eye (135°, 45°), Left eye (45°, 135°)
• Split prism	Right eye(6Δ BU), Left eye (10Δ BI)
• PD check lens	
• Fixed cross cylinder	±0.50D(Fixed with the axis set at 90°)



Manual Phoropter



RT-3000 Manual Phoropter

Specification:

- Sphere power Range:+16.75 to -19.00 diopters
- Step: 0.25 diopters .
- Cylinder power Range: 0.00 to - 6.00 diopters
(0.00 to - 8.00 diopters with additional lens of -2.00 diopters)
- Step: 0.25 diopters.
- Cylinder axis: 0 to 180°, 5° steps.
- Cross cylinder ±25 diopters.
- Rotary prisms: 0 to 20, 1 steps.
- Auxiliary lens dial (0)_Open aperture (two positions).
- (R)_Retinoscopic lens, +1.50D.
- (P)_Polarizing lens.
- 45° _left eye.
- 135° _right eye.
- P.D.adjustment 48_75mm,1mm steps.
- Standard accessory lenses Two - 12D and -2.00 cylinder lenses, two plano lenses for sealing front opening.

Standard Accessories

- 1 near point card with holder and reading rod.
- Dust cover.
- Face shield.
- Accessory case for lenses.
- Dimensions 318x293x96(mm).



Hand Held Auto Refractor/Keratometer

**REFRACTION
EQUIPMENT**

Righton Retinomax 3 Hand Held Auto Refractor
Retinomax K-plus 3 Hand Held Autorefractor/Keratometer



The Retinomax Series is the world's leading handheld Refractor and Ref/Keratometer, now boasting greater mobility, stability and accuracy.

Ideal for: Ward use, pre & post op, wheel chair patients, young children and adults.

Specification:

Share between offices or between rooms - the Retinomax is a full function hand held autorefractor that can be used anywhere. Measure patients in any position, in a hospital bed, in a wheelchair or in your pre-test room. Great for screening at a school or nursing home. Battery operation for mobile and domiciliary use.

Functional

The Retinomax has full measurement range and advanced measurement modes. The instrument begins reading the instant that alignment and focus is achieved. Measurements are terminated automatically when complete. faster measurement times are complemented by increased accuracy. A retro illumination function highlights media opacities.

Perfect for children

The elimination of the chin rest makes the examination procedure easier, more relaxed and fun for children. A melody function makes the Retinomax perfect for even the smallest child.

Get keratometry with the Retinomax K-Plus 3

Simultaneous refraction and keratometry measurements. Peripheral measurements can be obtained with minimal change in measurement time and no additional steps for the operator.



- Acuity Systems
- Phoropters (Manual/Automatic)
- Trial Lens Set
- Trial Frames
- Auto Refractors/ Keratometers
- Lensmeter (Manual/Automatic)
- Auto Refractor/ Keratometers

Potec PRK-5000 Auto Refractor/ Keratometer

Specification:

- Contact Lens Base Curve Measurement
- Vertex Distance (VD) 0.0, 12.0, 13.5.
- Sphere (SPH) -25.00~+22.00D
- Cylinder (CYL) 0.00~±10.00D
- Axis (AX) 1°~180° (Increments : 1°)
- Cylinder Form -,+,MIX .
- Pupil Distance (PD) 10~85mm.
- Minimum Pupil Diameter ≥2.0mm.
- Radius of Curvature 5.0~10.2mm
- Corneal Power 33.00~67.50D .
- Corneal astigmatism 0.00 ~ -15.00D
- Axis 1° ~180°



Potec PRK-6000 Auto Refractor Keratometer

Combined Auto Refractor/Keratometer

Specification:

- Fast and highly accurate simultaneous Refraction and K readings
- Peripheral Keratometry checks for irregular astigmatism
- Auto focus/fire mechanisms
- Motorised chin rest for patient & operator convenience
- Diameter measurement of cornea and pupil size.
- Fast internal printer with auto guillotine cutter.
- Large tiltable TFT-LCD colour touch screen.
- IOL measurement feature.



mitron SW-100-hand held Auto Keratometer

Features:

- Auto multiple K readings.
- New simple to use led alignment system.
- No effects from ambient light.
- Cordless operation, powered via AA batteries.
- Optional infra red remote printer.
- Priced similarly to a manual Keratometer!



Auto Refractor/Keratometer

Righton Speedy-1 Auto Refractor Speedy K Auto Refractor/Keratometer

Accurate

Advanced engineering and unique technology make the Speedy auto refractors the most accurate available. Rapid acquisition of data optimises measurements by reducing testing time. The medical retro-illumination mode allows the lens to be observed, and media opacities illuminated and identified.

Fast

Readings are initiated the instant that alignment and focus is achieved and measurements are terminated automatically when complete. Measurements are taken in a fraction of a second: 0.01 second for Speedy-1 and 0.35 second when Keratometry is taken with the Speedy-K. Perfect for children and patients who require rapid measurement acquisition.

Easy

Large 5.5 inch high resolution monitor allows easy alignment and focusing. The most user friendly acquisition of auto refractors available.

Get Keratometry with the Speedy-K

Simultaneous refraction and keratometry measurements are taken in 0.35 seconds. Four peripheral measurements can be obtained with minimal change in measurement time (0.45 seconds) and no additional steps for the operator. Contact lens holder is included to allow measurement of the curvature of contact lenses.



Grand Seiko Grand Seiko Wam-5500 Binocular Accommodation Auto Refractor/ Keratometer

Specification:

- Measurement with both eyes - less Instrumental Myopia
- Hi Speed Mode - Faster \ Measurement - it can measure five (5) times per second
- A.M Mode - measures the pupil diameter at 0.1mm step (minimum 2mm) simultaneously with refractive value
- Easy Measurement - measure a patient with glasses and contact lens or a patient with the IOL
- Built in thermal printer
- Data transfer port



ZOCULUS Oculus PARK-1 Auto Refractor/ Keratometer/ Pachymeter

Specification:

- 3 in one solution
- Auto Refraction
- Auto Keratometry
- Auto non contact Pachymetry (satisfies NICE guidelines)
- Average corneal thickness and specified corneal thickness measurement
- Automatic IOP adjustment based on corneal thickness
- 3D intelligent auto alignment
- Auto fire
- Motorised chin rest
- Built in thermal printer
- Large colour LCD screen
- Data transfer port



Auto Lensmeters

REFRACTION
EQUIPMENT



CCQ 800 Auto Lensmeter

Specification:

- Advanced third generation technology
- Hartmann measuring method
- Green LED light, direct power reading, no abbe compensation.
- Complete and accurate power measurement of spherical and cylindrical lens, progressive power lens, soft and hard contact lens.
- Measurement of low UV transmittance lens and low astigmatism lens.
- Large TFT touch screen.
- Simple and easy operation.
- High speed thermal printer.



Visionix VL1000 Automatic Lensmeter

Specification:

- Easy to use
- Intuitive user interface
- LCD display
- Sphere power 25.00D
- Cyl. power 10.00D
- Cyl. axis 0~±180° (1°)
- Add power 0~10D
- Prism power 0~10Δ
- Sampling speed 0.016 sec
- LED wavelength 630nm
- Cylinder -,+±
- Prism rectangular/polar/displacement
- Abbe values, manual compensation
- Weight approx 5.5kg
- Data output RS-232C



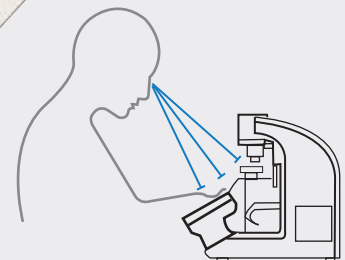
- Acuity Systems
- Phoropters (Manual/Automatic)
- Trial Lens Set
- Trial Frames
- Auto Refractors/ Keratometers
- Lensmeter (Manual/Automatic)
- Auto Refractor/ Keratometers



GL7000 Lensmeter

Specification:

- Built in thermal printer
- Marking system ink cartridge type
- Ideal for front of shop or laboratory use
- World proven track record for accuracy, stability & consistency
- Easy to use and understand featuring large user symbols
- Measurement Range :
Sphere (S) -25-+25D (0.01/0.12/0.25Dstep)
- Cylinder (C) 0-±10D (0.01/0.12/0.25Dstep)
- Axis (A) 0-180°(1°step)
- Addition 0-+ 10D (0.01/0.12/0.25Dstep)
- Prism 0-10Li. (0.01/0.12/0.25Li.step)
- Wavelength : 660nm
- Lens : Glasses Lens, Hard/Soft Contact Lens
- Lens Size : MaxpLOmm
- Monitor : 5.7 inch LCD Monitor (Colour)
- Printer : Thermal Printer (Width58mm) [GL-7000 Only]
- Dimension : (W) 200mmX (D) 395mmX (H) 365mm
- Weight : 6kg
- Output Power : RS-232C Interface
- Supply : 100-240V 50/60Hz
- Consumption : 40VA
- Power Save : OFF, 3, 5,10min. (Selectable)



Ergonomic design



Digital Projection Lensmeter with Prism Compensator

Specification:

- Clearly visible test mark.
- Illuminated digital display for easy reading.
- Wide measurement range +/- 25D.
- Sturdy glass ruler made of metal.
- With integrated printer.
- Easy to use marking device.
- Ordinary marking ink can be used.
- Easy bulb changing.



LM1-C

Specification:

- Ocular eyepiece focimeter.
- Internal reading.
- Built in prism compensator.
- Target type.
- Corona and cross hair.



LM2-C

An upright version of standard eye piece type. Lens table in horizontal position allows easier positioning of lens or spectacle frame.

Specification:

- Internal reading scale.
- Prism compensator.
- Target type, dotted circle & cross hairs.



LM-9C

Specification:

- Internal reading scale.
- Classic vertical/ horizontal cross hair.
- Target with corona dotted circle.
- 360 degree adjustable protractor line.
- LED illumination: no bulb required.
- Low voltage. battery operated.
- Prism compensation optional.



Computerised Test Charts



Vista Vision

Pola Vista Vision

Specification:

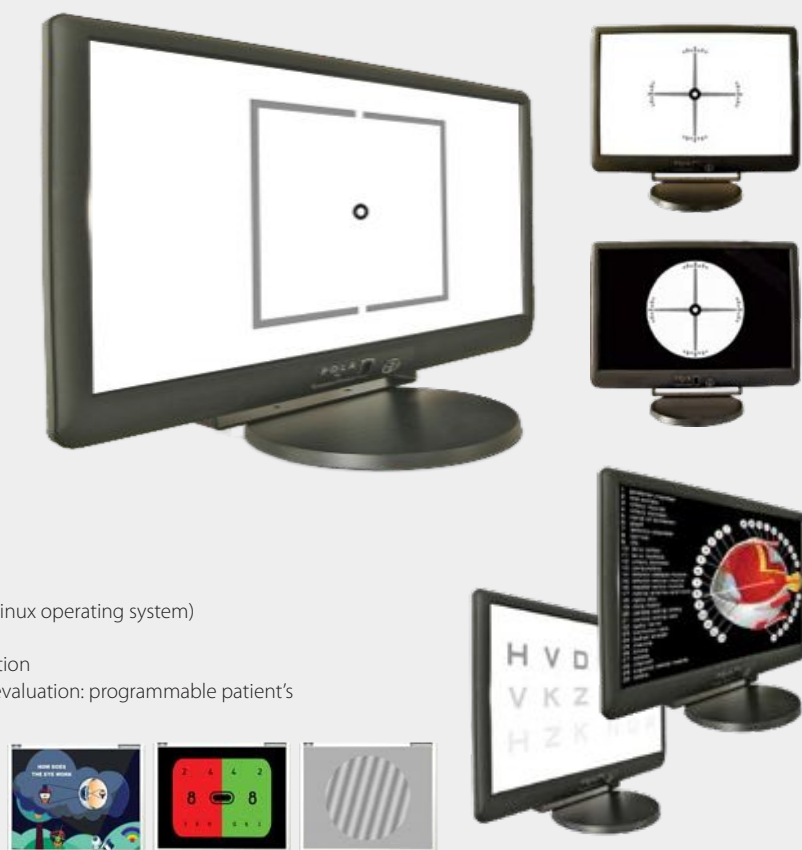
- High technology
- All in one 22" POLA Visual Acuity Tester

Features:

- 100% separation and equal background
- Image separation created through the most improved polarisation technique eliminates ghost images.
- Without any additional items, POLA Vista Vision allows the generation of optotypes with positive polarisation
- LCD 22inch wide screen (1680 x 1050), anti glare, calibrated constant certified luminance
- Wall mounting and portable
- Completely silent (no fan noise)
- Computer integrated; fast on and instant off (embedded linux operating system)
- Dynamic tests based on parameters and distance
- All letters chart with random and contrast sensitivity function
- Complete, precise and versatile software for a fast acuity evaluation: programmable patient's vision examination
- Free internet upgrade software USB Key
- Long-life, up to date technology

Also available

Wide Vista Vision (no polarisation)



Vista Vision Remote Panel

Specification:

- Interact with Vista Vision
- Direct Control
- Simple & intuitive
- LCD 7" screen
- Table top standing
- Complete, precise, software
- Embedded linux system



medmont AT-20R Visual Function Tester

The AT-20R Visual Function Tester is an award-winning handheld solution for patient acuity testing. Utilising a standard Windows™ workstation and a bluetooth connection, the AT-20R uses your currently existing hardware as a means for display and offers completely wireless control.

Specification:

- Various fixation targets, including animated targets for children
- Random letter generation prevents chart memorisation
- Astigmatism measurement
- Duochrome targets
- Binocular vision tests
- Gratings displays
- Cross cylinder targets



AcuScreen

Specification:

- Acuscreen Software, two licences as standard
- Additional licences available upon request
- Requires suitable PC, a 15 or 17 inch flat screen LCD monitor
- Can be used between 1.5 & 7 meters
- Image reversible if used via a mirror
- Optional remote control available

Charts Include

UK snellen letters, numbers, arabic, logmar, contrast sensitivity, dual fixation disparity, concentric circles, duochrome, cross cyl power & axis target (peppered dots), fixation point, childrens fixation targets, animated children's fixation targets, patient educational images.



Specification:

- Slim design
- Easy to install
- 37 charts
- Can save 38 images
- Adjustment of the test distance
- Convenient functions for the user



Charts Include

Astigmatic angle, binocular vision, hetero-phoria, stereopsis, mask (vertical, horizontal, single, plus many more.

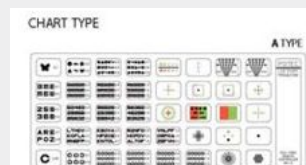


Chart Projectors

REFRACTION
EQUIPMENT



PACP -7000L Chart Projector

Fully Automated Chart Projector

The PACP-7000L chart projector guarantees accurate and efficient optometry tests. High quality with a wide range of features.

Specification:

- Boasts the largest chart selection available, 42 in total
- Ease of use.
- Individual keys for each chart via infra red control.
- All acuity charts in UK Snellen.
- Energy saving.
- Brighter and sharper image, aiding a more accurate refraction.
- Test in a well lit room without losing definition.
- Peace of mind, never have to change another bulb.



- Acuity Systems
- Phoropters (Manual/Automatic)
- Trial Lens Set
- Trial Frames
- Auto Refractors/ Keratometers
- Lensmeter (Manual/Automatic)
- Auto Refractor/ Keratometers



NP-3s and NP-3sv Chart Projector

Specification:

- 32 test charts featuring a comprehensive range of tests.
- Infra red remote control.
- Rapid tests change 0.33 seconds.
- Auto stand by mode after 10 minutes of non use.
- Single or multiple Optotype presentation.
- 2 programmable test sequences of up to 30 tests.
- Red and green filter can be used with every test chart.
- Switch in polarisation filter.
- High quality optics and halogen illumination result in brilliant presentation of tests.
- Tests include Landholt rings, numbers, letters, illiterate Es, children's tests, balance, schober worth, fan, binocular tests etc.



Trial Frames



OCULUS

UB4 Trial Frame

Discover the award-winning new Universal Trial Frame (UB4). Introducing the ergonomic refraction design from Oculus that's easier to use and easier to wear.

This light weight device lets you change up to five pairs of DIN or BSI-norm 38mm diameter trial lenses quickly. Separate right and left PD adjustments from 46-80 mm. Easily adjustable nose piece, side length, and angle ensure patient comfort. Closed side design keeps hair from being trapped. With adult and paediatric nose rests.



OCULUS

Half Eye with Options

The same precision engineering, same lightweight material. Designed to accommodate three pairs of 38 mm half lenses. PD adjusts from 59-67 mm. Fixed bridge with adjustable sides.

Options:

- Adjustable nose rest
- Adult and Childrens with or without nose piece.



OCULUS UB3

Universal Trial Frame

A true product of German precision, this traditional refraction device for up to five pairs of trial lenses has been the standard for quality around the globe.



MSD

Universal Trial Frame

Trial Lens Sets

C.I.O.M. Trial Sets

C.I.O.M Domiciliary Set (1)

Spheres, cylinders, prisms, accessories

C.I.O.M Portable Set (2)

Spheres, cylinders, prisms, accessories

C.I.O.M. Trial Set (3)

Spheres, cylinders, prisms, accessories



Optional Cabinets



BiB Full Aperture Trial Lens Set

BiB Full Aperture Trial Lens Set

Features

- Coloured metallic rims
- 232pcs in case



BiB Reduced Aperture Set in 232pcs Lenses



- Available in Plastic or Metal

Test Types

REFRACTION EQUIPMENT



Supreme Test Type
(inc fan and block)



Petite Test Type



Sussex
Domiciliary Unit



Sussex Slimline Test Chart



Single Panel Test Chart
3 or 6 metre



Four Sided Test Type
(available in manual or motorised form)

- Acuity Systems
- Phoropters (Manual/Automatic)
- Trial Lens Set
- Trial Frames
- Auto Refractors/ Keratometers
- Lensmeter (Manual/Automatic)
- Auto Refractor/ Keratometers

Supplements

MacuShield is a unique carotenoid eye supplement tested at leading research institutions and endorsed by eye care professionals.

Scientists have long known that the yellow colour, or pigment, inside the macular comes from the carotenoids, lutein, zeaxanthin, and meso-zeaxanthin. These plant compounds help protect the eye by absorbing blue light and neutralising free radicals.

The patented blend in Macushield brings together all three of these carotenoids (meso-zeaxanthin, lutein & zeaxanthin) to help maintain eye health and more specifically, macular health throughout later years.



Available in 30 day, 90 day & a starter pack including 10 packs of 30 day, 4 packs of 90 day, a display box, posters and patient leaflets.

For more detailed information please visit www.macushield.co.uk

OPTICAL DOCTOR



Nationwide Service and Repair for **ALL** Ophthalmic Instruments

Optical Doctor is a one-call, No Fix - No Fee, service that meets all of your instrument repair and maintenance needs.

We know you can't afford to have broken or impaired equipment lying unused in your business, you need a speedy resolution by expert technicians.

Our nationwide network of trained and qualified engineers can provide speedy emergency repairs, general maintenance services or just much-needed advice.

- ◆ **FREE advice line - 01438 740823**
- ◆ **ALL manufacturer's equipment covered †**
 - ◆ **Chair upholstery repairs**
- ◆ **Instrument servicing / calibration / installation / relocation.**

**And remember our No Fix - No Fee policy, if we can't solve your problem,
we won't charge you a penny!**

The very latest technologies from the
World's leading manufacturers

BiB Ophthalmic Instruments aim is to be the preferred supplier to all of the Optical Industry by offering the very latest technologies from some of the worlds leading manufactures, on time and at a price that ensures value for money for all our customers.



E-mail:
sales@bibonline.co.uk

Tel:
01438 740823

Web:
www.bibonline.co.uk