



OPHTHALMIC INSTRUMENTS

REFRACTION FURNITURE

www.bibonline.co.uk

Focused on innovative technologies

Combi Units

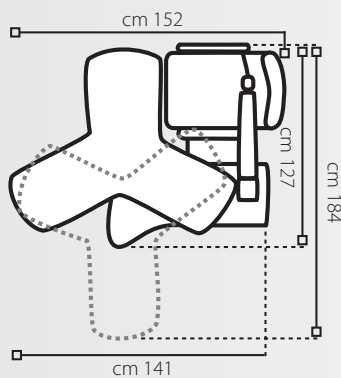
REFRACTION FURNITURE

- Combi Units
- Optometrist Stool
- Patient Chairs
- Tables
- Mirrors

F.I.S.O. Trio

Specification

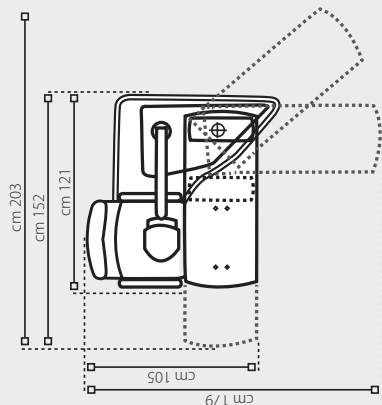
- Unit available with wood finish as pictured or in dark brush steel.
- Chair upholstery colour available in black, grey, yellow, green, red or blue.
- Features motorised up/down movement of rotary table.
- Instruments can be powered in any position of the 90 degree arc, making it ideal for wheel chair access.
- Built from sheet steel and solid wood, the unit has no table flex even when heavy instruments such as fundus cameras or auto-refractors are placed upon it.
- Optional refraction arm and four drawer cabinet to house trial lenses.



F.I.S.O. Onda Lens

Specification

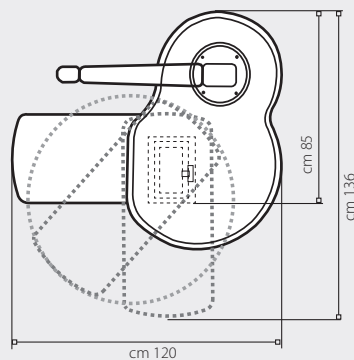
- The twin translating table incorporates two useful sections, a pull out working desk/contact lens fitting mirror and a trial lens tray which allows fitting of lenses in the correct and most suitable position.
- The unit is available in polished metal or a wood effect.
- Instruments can be powered in any position of the table swing allowing easier positioning for larger patients etc.
- Chair upholstery colour is available in black, grey, yellow, green, red or blue.
- A refraction arm is available as an optional extra.



F.I.S.O. Hercules

Specification

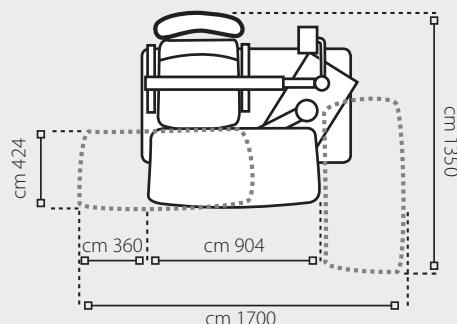
- The only truly workable and functional disability unit ever produced.
- The rotational movement and motorised elevation of the double table (height range from 72 cm to 92 cm) is based on catering for wheel chair patients. Movement of the optional motorised chair has been made easier by virtue of the embedded wheels on the underside of the chair base. Alternatively your existing patient chair can be utilised.
- The Hercules offers practitioners a truly all round accommodative solution and does not compromise the space at only 1.2 meters in width.
- A refraction arm is available as an optional extra.
- F.I.S.O. Prima motorised chair with embedded wheels and foot switch controls.



FRATEMA New Simplex II

Specification

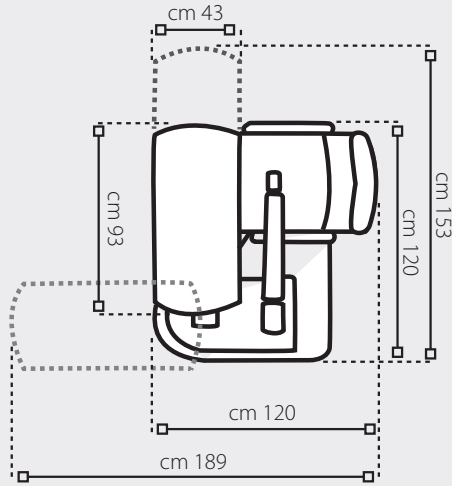
- Twin translating table
- Motorised chair with arm rests and fold up foot plate
- Overhead light
- Chart projector mounting plate
- Optional refraction arm



F.I.S.O. Rondo

Specification

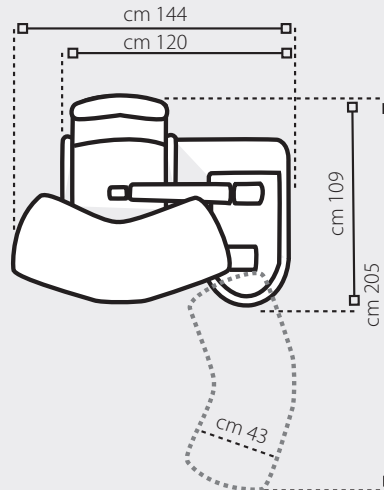
- Includes deluxe motorised chair.
- Silent up/down movement.
- Manufactured using solid wood and sheet steel.
- No table overhang in the out position, with a compartment for hand held instruments and twin illumination controls.
- Available with optional motorised or manual refraction arm.



F.I.S.O. Doublette

Specification

- Compact unit.
- Prima electric lift chair, with new virtually silent mechanism.
- Twin fixed angular table top, ideal for mounting heavier instruments or those with a fixed chin rest.
- Power to instruments with the table in any position, making it easier for larger patients or to allow wheel chair access.
- Built in rheostat for illumination control, overhead light, mounting for chart projector plus a dust free storage compartment for hand helds.
- Foot switch controls fitted as standard.
- Manufactured using sheet steel and solid wood for extra rigidity.
- The base design is contoured to allow easier access to the patient for ophthalmoscopy/retinoscopy etc.
- Chair colour available in blue, green, black and grey.



F.I.S.O. Monovisus

Specification

- Single column pole on weighted base.
- Overhead light.
- Chart projector mounting plate.
- Ideal for refraction only.
- Available with or without F.I.S.O. chair.
- Utilise your existing patient chair.
- No room for a combi? - Monovisus is the answer!

Optional extras

- Refraction arm.
- Patient chair.



F.I.S.O. Trial Lens Cabinet

Specification

- Size of unit 460 w x 625 L x 650 h
- Colour matched 4 drawer cabinet for use with all FISO Refraction Combi Units



Patient Chairs

REFRACTION
FURNITURE

Combi Units
Optometrist Stool
Patient Chairs
Tables
Mirrors

F.I.S.O. Doctor

Specification

- Doctor chair is available in Black, Grey, Blue, Bordeaux, Green and Dark Brown upholstery.
- Converts into a bed with adjustable height by means of two powerful, virtually silent electric motors complete with foot control.
- Retractable arm rests, foot rest and cushion head rest.



F.I.S.O. Alles

Specification

- Electric height adjustment mechanism, based on a silent and powerful electric motor which gives an elevation of 15cm by acting on a foot switch control.
- Manual recline facility converts into bed position.
- Fully adjustable headrest.
- Lockable armrests.
- 360° lockable rotation.
- Stand alone or available on any F.I.S.O. combi unit.
- Chair upholstery is available in several colours.



F.I.S.O. Sonne

Specification

- Available in Blue, Green, Steel Blue and Black.
- Virtually silent electronic movement, by virtue of a new designed motor.
- Fully reclinable, pivots either way at 45 degrees.
- Adjustable head rest, fold up foot rest & retractable arm rests that can be locked down if required.
- The up down control is operated via foot pedals which can be positioned suiting individual needs.
- Stand alone or available on any F.I.S.O. Combi Unit.



F.I.S.O. Liberty

Specification

- Professional chair with a fixed back, tip up arm rests and 360° lockable rotation.
- Electric height adjustment with foot-switch control.
- Study base in laminated wood assures stability.
- Upholstery is available in several colours and different fabrics.



Patient Chairs/Tables/Stools/Mirrors

F.I.S.O. Prima

Specification

- A comfortable chair with fixed back, 360° lockable rotation and an optional tip-up foot rest.
- Electric height adjustment with foot switch control.
- Study base in laminated wood assures stability.
- Upholstery is available in several colours.
- The best entry level chair with electrical height adjustment.



F.I.S.O. Standard

Specification

- A comfortable chair with fixed back and tip up arm rests, 360° lockable rotation.
- This ophthalmic chair is equipped with a height adjustment mechanism based on a gas spring with a stroke of 14cm.
- This ophthalmic chair is provided with an elegant five legged chrome-plated base.
- Standard ophthalmic chair upholstery is available in several colours.



Optometrist Stool's

F.I.S.O.

Gas Lift Stools

- Lumber Support
- Standard



Tables

F.I.S.O. Mistral

Specification

- Gas lift
- Manual lock
- 26" (66cm) Table length
- 19" (48cm) width
- 27.5" (70cm) base length



BiB Motorised Table

Specification

- Electric
- 26" (66cm) High
- 9" (23cm) Feet to base
- 20" (91cm) Wide



BiB Motorised Deluxe Table

Specification

- Electric
- 27" (69cm) High
- 22" (56cm) wide feet to feet
- 6" (15cm) feet to base

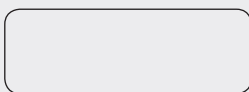


Table Tops

Single top :
54x37x3cm



Double top :
80x49x3cm

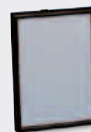


Curved Top :
98x52x3cm

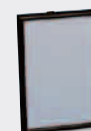


Mirrors

Fixed Wall Mirror
530mm x 350mm



Adjustable Wall Mirror
530mm x 350mm



Projection Mirror Set
530mm x 350mm
& 250mm x 250mm



Floor Stand Mirror
530mm x 350mm

The very latest technologies from the
World's leading manufacturers

BiB Ophthalmic Instruments aim is to be the preferred supplier to all of the Optical Industry by offering the very latest technologies from some of the worlds leading manufactures, on time and at a price that ensures value for money for all our customers.



E-mail:
sales@bibonline.co.uk

Tel:
01438 740823

Web:
www.bibonline.co.uk